



FILLING GUN series Pinox

art. 30841a40 Pinox 40 40

art. 30841a18 Pinox 30 18

art. 30842a22 Pinox 32 22



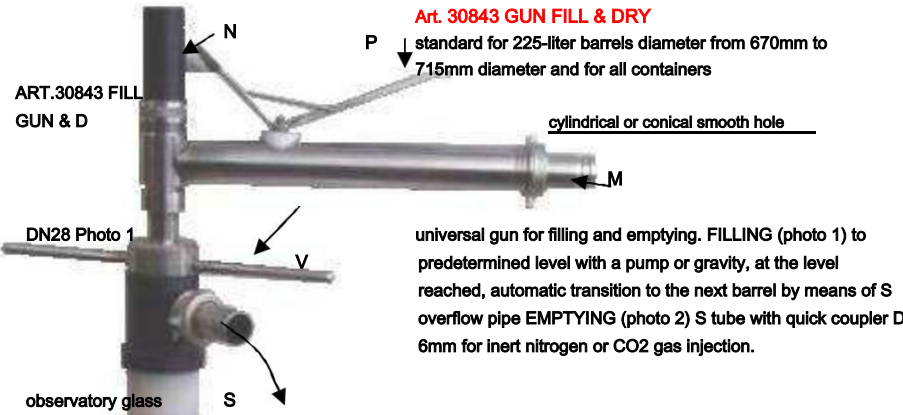
This gun allows the transfer even at low operating pressures.

It is normally provided with rubber gaskets.

On demand: other types of seals, other attacks in both D1 D2 incoming and outgoing

technical table

ART	Name	Input Type		Liters' Capacity	Me m sure m			Weight		F minimum
		Kind of fitting			D1	D2	H	TO	Grams	
30841a18	PINOX30-18	fixed tube 20mm x		75	18	30	270	200	1150	20
30841b28	PINOX30-28	fixed tube 30mm x		75	28	30	270	200	1150	30
30841d28	PINOX25-30	fixed tube 25mm x		75	30	25	270	200	1150	32
30841a32	PINOX40-32	fixed tube 32mm x		200	32	40	320	250	1300	34
30841a40	PINOX40-40	fixed x 40mm tube		200	40	40	320	250	1350	42
30842b22	Pinox 22	BSP1 "x 25mm tube		80	22	32	445	320	1100	24



ART. 30843 FILL GUN & D

DN28 Photo 1

observatory glass

ART. 31574

Photo 2
ART. 30843 Attack nitrogen + Increase

Art. 30843 GUN FILL & DRY
standard for 225-liter barrels diameter from 670mm to 715mm diameter and for all containers

cylindrical or conical smooth hole

universal gun for filling and emptying. FILLING (photo 1) to predetermined level with a pump or gravity, at the level reached, automatic transition to the next barrel by means of S overflow pipe EMPTYING (photo 2) S tube with quick coupler D 6mm for inert nitrogen or CO2 gas injection.

Art. 30846 GUN MLF50
standard multifunction GUN to aspirate or decant and simultaneously filter up to 50my liquids in tall containers up to 1250mm
FILLING with or without a filter was added with a pump or gravity, possibility of pressure connection. DRAINAGE SYSTEM WITH EXCLUSIVE ANTISCHIUMA (with / without inserted filter), the particular block system prevents emptying of the suction tube and the consequent release into air network. Particularly suitable in the filling of dense liquids

FILL & D OPERATION

FILLING A FALL OR ELECTRIC (black fig. 1-10fr)

- 1) Connect the hose M to the container to be emptied, if it is located at a higher level, or by the transfer pump in other cases.
- 2) Connect the S B2 hose to a vacuum container, possibly placed at a level lower than or equal to B1 vessel.
- 3) Insert the sealing cone C into the filling hole, rotate the V handwheel clockwise to expand the silicone cone against the wall of the hole (picture 6/7).
- 4) Open the valve plunger N by pressing downwards (P foto 1).
- 5) Open the wine entering into the barrel until you see exit S.
- 6) Unlock to close # 7) Unscrew V in order to easily extract the closing cone C.
- 8) Take the gun slowly from

filling.

DRAIN WITH TOTAL ELECTRIC (Red fig. 1-10fr)

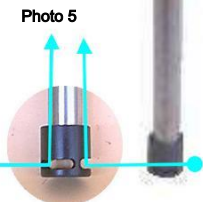
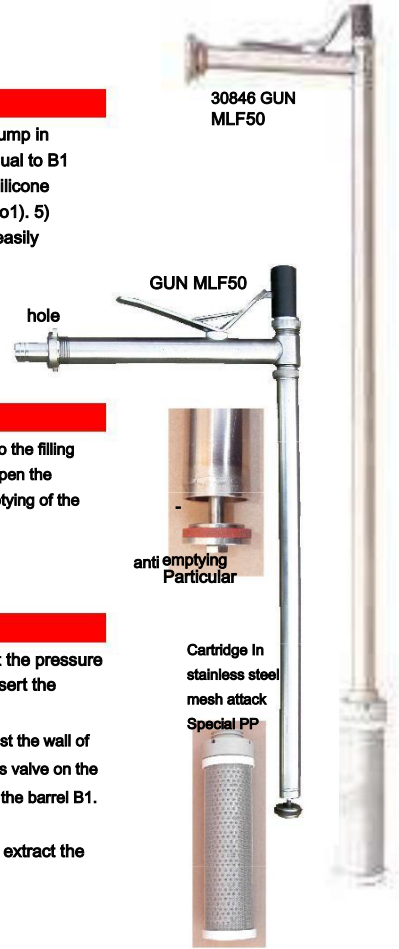
- 1) Connect the hose to a pump self-priming.
- 2) Allow free S (without inserted pipe)
- 3) Insert the sealing cone C into the filling hole, rotate the V handwheel clockwise to expand the silicone cone against the wall of the hole (picture 6/7).
- 4) Open the valve piston P N by pressing downwards (photo 1).
- 5) Start the engine of the electric pump until the complete emptying of the drum.
- 6) Unlock N (piston valve closed).
- 7) Unscrew V in order to easily extract the closing cone C

- 8) Slowly pull the gun from the filler hole.

FILL & D EMPTYING DELICATO with inert gases (photos 2-5-8-9)

- 1) Connect the tube to M B2 container intended to receive the liquid that is located in the barrel B1
- 2) Adjust the pressure of the secondary pressure gauge in output from the cylinder to the 0.2 / 0.3 bar) pressure MAXIMUM insert the Rilsan pipe S .
- 4) Close the tap S

- 5) Insert the sealing cone C into the filling hole, screw the V handwheel to swell the silicone cone against the wall of the hole, photo 6-7 pull the gun upward to make sure of the block and the perfect sealing.
- 6) Open the opening gas valve on the cylinder.
- 7) Open the valve plunger N by pressing downwards (foto4).
- 8) open the faucet S, starts the emptying of the barrel B1.
- 9) In about 11 minutes the barrel will be completely empty.
- 10) Close the tap N
- 11) LEAVE DEPRESSURIZE B1 completely removing the pipe from the quick coupling
- 12) Unscrew the V handwheel in order to easily extract the closing cone C.
- 13) Pull the gun from the filler hole.

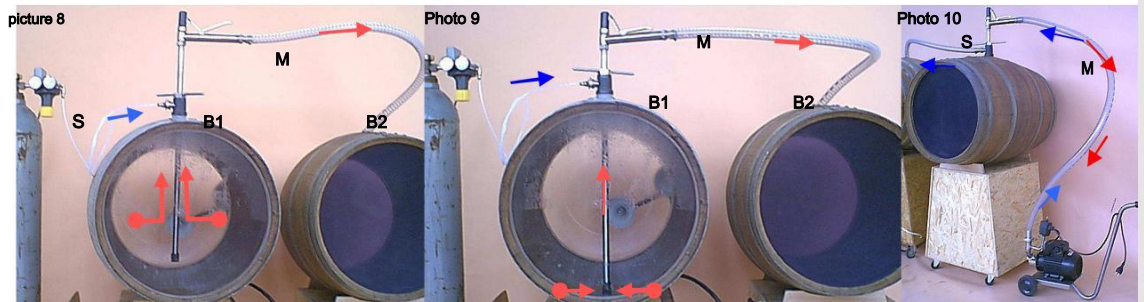
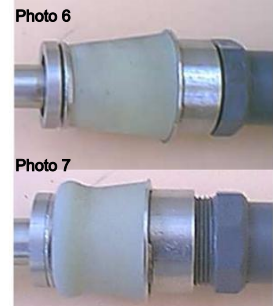


DATA SHEET

Art	NAME	FLOW Lt'	Measurement Attack tube mm	Hole Size D MIN MAX	DIMENSIONS mm width			
					length	height	depth	Weight gr.
30843	FILL GUN & D	80	1 "bsp x25x2pz	43/54	80	850	350	1800
30846th	GUN MLF32	80	1 "bsp x25	35	65	320	350	1400
30846b	GUN MLF50	80	50 garolla	80	65	1320	350	2100

OPTIONS :

sealing cones C special measures. Extensions for containers of different diameters. Caution: It is not allowed to fish liquids containing solid particles larger than 5mm.



For a perfect fulfillment of the order do reach: outer diameter Inner diameter hole wood thickness Maximum diameter barrel from external exceeding Maximum Internal