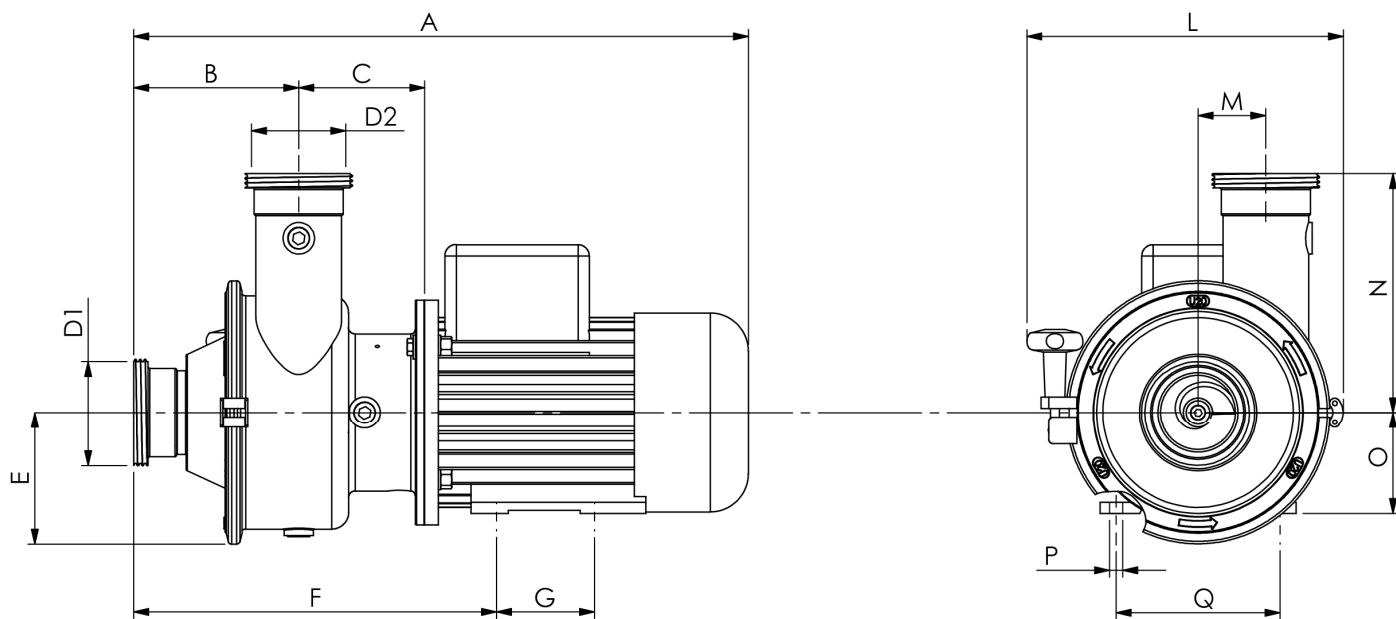


**Dimensioni indicative d'ingombro con raccordi DIN 11851 e motore "B3-B5".**

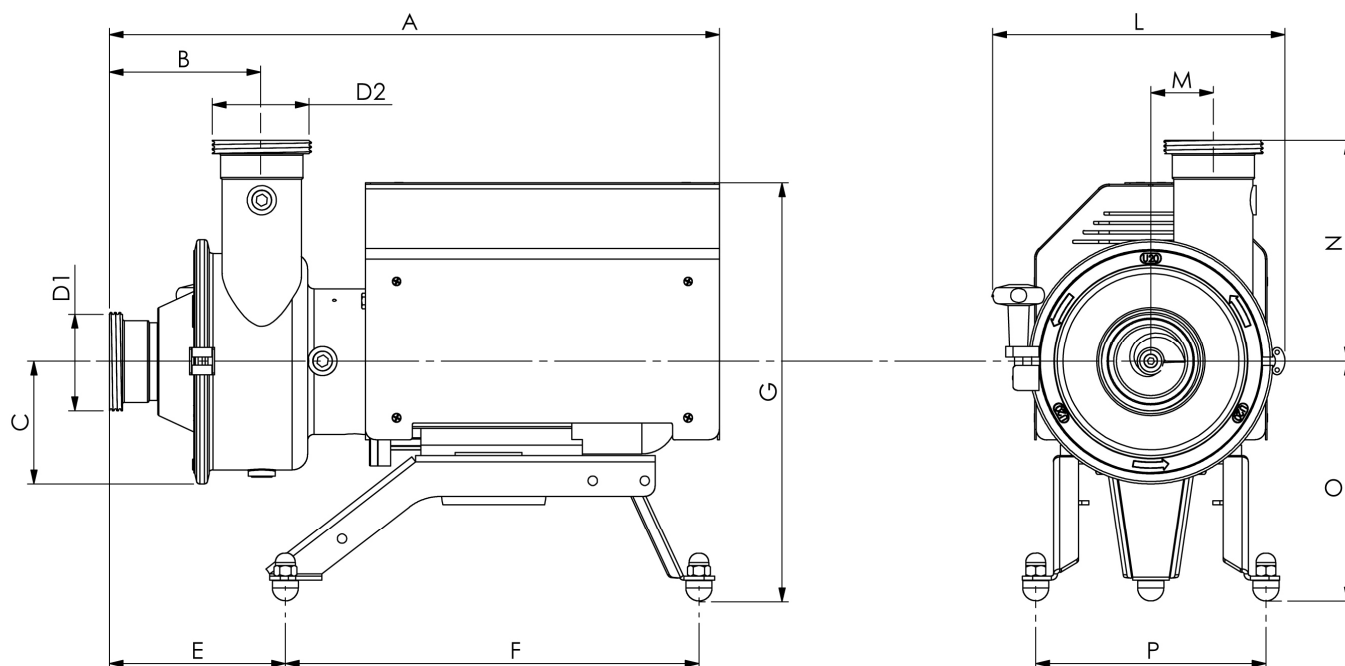
*Approximate overall dimensions with DIN 11851 nipples and motor "B3-B5"*  
*Dimension d'encombrement indicatif avec raccords DIN 11851 et moteur "B3-B5"*  
*Gesamtmaassungen mit DIN 11851 Anschlüssen und motor "B3-B5"*  
*Dimensiones totales indicativas con conexiones DIN 11851 y motor "B3-B5"*



| POMPA<br>PUMPS | POLI  | POTENZA<br>[kW] | IEC  | A<br>[mm] | B<br>[mm] | C<br>[mm] | D1<br>[DN] | D2<br>[DN] | E<br>[mm] | F<br>[mm] | G<br>[mm] | L<br>[mm] | M<br>[mm] | N<br>[mm] | O<br>[mm] | P<br>[mm] | Q<br>[mm] | PESO<br>[KG] |
|----------------|-------|-----------------|------|-----------|-----------|-----------|------------|------------|-----------|-----------|-----------|-----------|-----------|-----------|-----------|-----------|-----------|--------------|
| TC.DV 10       | 4     | 0,75            | 80   | 510       | 136       | 112       | 50         | 50         | 120       | 307       | 100       | 280       | 60        | 202       | 80        | 10        | 125       | 27           |
| TC.DV<br>15    | 4 - 6 | 1,1 - 0,75      | 90S  | 525       | 145       | 112       | 65         | 65         | 120       | 313       | 100       | 280       | 60        | 215       | 90        | 10        | 140       | 30           |
|                | 4     | 1,5             | 90L  | 550       | 145       | 112       | 65         | 65         | 120       | 313       | 125       | 280       | 60        | 215       | 90        | 10        | 140       | 32           |
| TC.DV<br>20    | 4     | 1,5             | 90L  | 550       | 145       | 112       | 65         | 65         | 120       | 313       | 125       | 280       | 60        | 215       | 90        | 10        | 140       | 33           |
|                | 6     | 0,75            | 90S  | 525       | 145       | 112       | 65         | 65         | 120       | 313       | 100       | 280       | 60        | 215       | 90        | 10        | 140       | 30           |
| TC.DV<br>30    | 4 - 6 | 2,2             | 90L  | 550       | 145       | 112       | 65         | 65         | 120       | 313       | 125       | 280       | 60        | 215       | 90        | 10        | 140       | 34           |
|                | 4     | 2,2             | 100L | 580       | 145       | 112       | 65         | 65         | 120       | 320       | 140       | 280       | 60        | 215       | 100       | 12        | 160       | 42           |
| TC.DV 40       | 4     | 3               | 100L | 635       | 192       | 128       | 80         | 80         | 152       | 383       | 140       | 350       | 80        | 220       | 100       | 12        | 160       | 52           |
| TC.DV 55       | 4     | 4               | 112M | 680       | 192       | 138       | 100        | 100        | 170       | 400       | 140       | 375       | 92        | 240       | 112       | 12        | 190       | 58           |

**Dimensioni indicative d'ingombro con raccordi DIN 11851 e motore "B3-B5".**

*Approximate overall dimensions with DIN 11851 nipples and motor "B3-B5"*  
*Dimension d'encombrement indicatif avec raccords DIN 11851 et moteur "B3-B5"*  
*Gesamtabmessungen mit DIN 11851 Anschlüssen und motor "B3-B5"*  
*Dimensiones totales indicativas con conexiones DIN 11851 y motor "B3-B5"*



| POMPA<br>PUMPS | POLI  | POTENZA<br>[kW]  | IEC | A    | B    | C    | D1   | D2   | E    | F    | G    | L    | M    | N    | O    | P    | PESO<br>[KG] |
|----------------|-------|------------------|-----|------|------|------|------|------|------|------|------|------|------|------|------|------|--------------|
|                |       |                  |     | [mm] | [mm] | [mm] | [DN] | [DN] | [mm] | [mm] | [mm] | [mm] | [mm] | [mm] | [mm] | [mm] |              |
| TC.DV 10       | 4     | 0,75             | 80  | 585  | 136  | 120  | 50   | 50   | 162  | 406  | 390  | 280  | 60   | 202  | 222  | 206  | 35           |
| TC.DV 15       | 4 - 6 | 1,1 - 1,5 - 0,75 | 90  | 585  | 145  | 120  | 65   | 65   | 170  | 397  | 400  | 280  | 60   | 215  | 230  | 220  | 40           |
| TC.DV 20       | 4 - 6 | 1,5 - 0,75       | 90  | 585  | 145  | 120  | 65   | 65   | 170  | 397  | 400  | 280  | 60   | 215  | 230  | 220  | 41           |
| TC.DV<br>30    | 4     | 2,2              | 90  | 585  | 145  | 120  | 65   | 65   | 170  | 397  | 400  | 280  | 60   | 215  | 230  | 220  | 42           |
|                | 4     | 2,2              | 100 | 650  | 145  | 120  | 65   | 65   | 165  | 475  | 440  | 280  | 60   | 215  | 250  | 238  | 56           |
| TC.DV 40       | 4     | 3                | 100 | 710  | 192  | 152  | 80   | 80   | 218  | 475  | 440  | 350  | 80   | 220  | 250  | 238  | 66           |
| TC.DV 55       | 4     | 4                | 112 | 725  | 192  | 170  | 100  | 100  | 240  | 510  | 450  | 375  | 92   | 240  | 265  | 268  | 69           |